



TUB00082



TUB00083

The Moxtek® 50kV Monoblock X-ray Source is a small, low power device used for a variety of applications including handheld, portable, and bench top instrumentation.

Features	Benefits
Small, compact design	Close coupling of detector/ source
Lightweight	Portable, easy to integrate
Stable output	High precision of measurements, low detection limits
Low power consumption	Long battery life
Low spectral contamination	Clean spectrum, high precision of analysis
High x-ray output	Short sampling time

Applications

X-ray Imaging

- Medical R&D, small animal imaging
- Security
- Radiographic inspection

Materials Characterization and Identification (XRF)

- Metal and alloy sorting
- Mining and geology
- Environmental analysis
- Lead in paint
- Regulatory (RoHS/WEEE)
- Art and archeometry
- R&D

Specifications

Tube type: Metal-ceramic

Ambient Temperature°: -10° to +50° C

Storage Temperature°: -25° to +85° C

Cooling: Air

HV Insulation: Silicone potting

Weight: ~350g

Available Targets: Ag, W, Rh

HV Polarity: Grounded anode

High Voltage Potential: 4 to 50kV

Beam Current: 0 to 0.200mA

Maximum Power: 4 watts

Focal Spot Size: Typical ~ 400µm

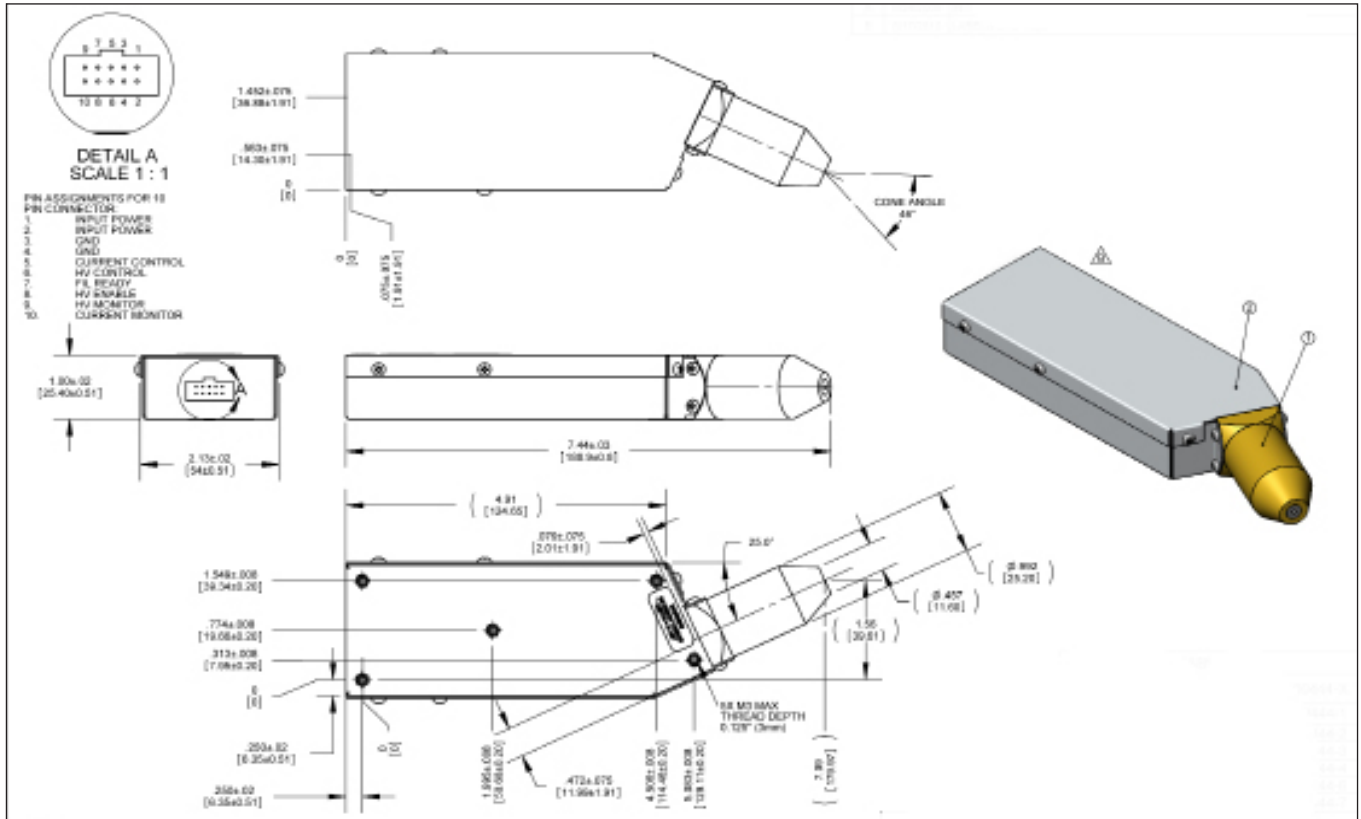
Window: Beryllium, 0.25mm thick

Input Power: 6-12 VDC

Focus-to-Object Distance: 2.2mm

Standard Warranty: One year

TUB00082 Mechanical Drawing



TUB00083 Mechanical Drawing

