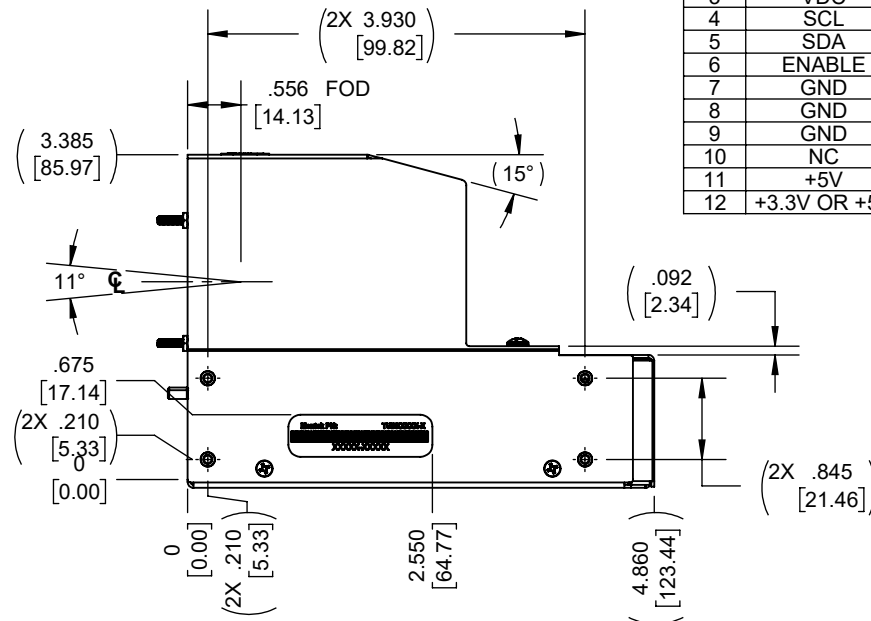
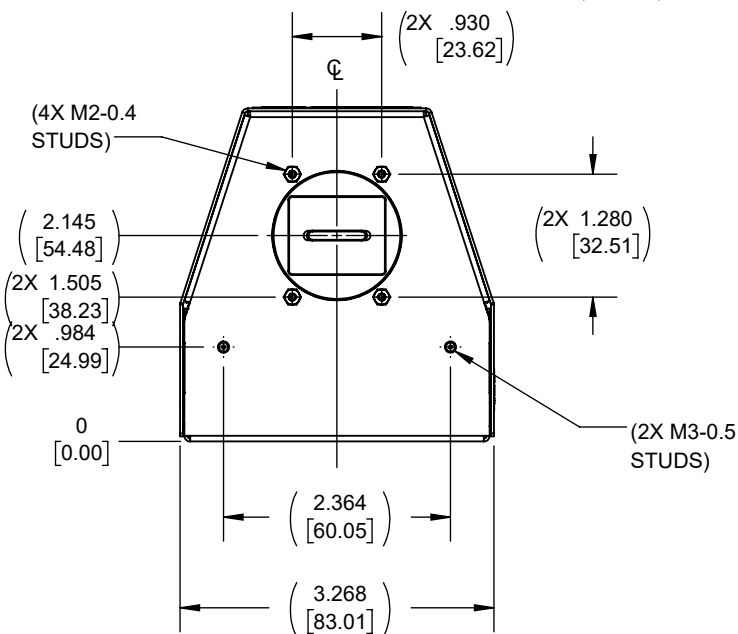


DETAIL A
SCALE 1 : 1

PIN ASSIGNMENTS FOR 3M 2310-6121TG 12 PIN CONNECTOR

PIN #	NAME	DESCRIPTION
1	VDC	MAIN POWER, 12V±0.5V
2	VDC	MAIN POWER, 12V±0.5V
3	VDC	MAIN POWER, 12V±0.5V
4	SCL	I2C CLOCK LINE
5	SDA	I2C DATA LINE
6	ENABLE	+5V TO ENABLE
7	GND	GROUND RETURN
8	GND	GROUND RETURN
9	GND	GROUND RETURN
10	NC	NOT CONNECTED
11	+5V	AUX POWER
12	+3.3V OR +5V	I2C POWER



MOXTEK
 452 W. 1260 NORTH OREM, UTAH 84057
 PH: (801) 225-0930
 FX: (801) 221-1121
 www.moxtek.com

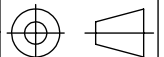
THIS DOCUMENT CONTAINS PROPRIETARY INFORMATION, AND MAY NOT BE DUPLICATED BY, OR DISCLOSED TO ANYONE OUTSIDE OF THE PURPOSE FOR WHICH IT WAS INITIALLY TRANSMITTED, BY ANYMEANS, ELECTRONIC OR MECHANICAL IN FULL OR IN PART, WITHOUT THE EXPRESS WRITTEN PERMISSION OF MOXTEK, INC.

DESCRIPTION:
 SOURCE, GENERIC, LW, FAN, 140KV - XXX

FILE: TUB00205-XXX-SPEC

DWG/PRT: TUB00205-XXX

INCH
 SHEET 1 OF 1



FORMAT: A
 SCALE: 1:2